



Product Price Guide & Specifications

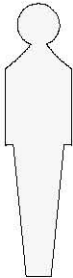
January 2011

Make an entrance with Oak Leaf Gates

This guide is designed to give an indicative cost of your new gates, as well as providing more detailed information and guide prices on items such as finishes, gate posts, hinges and ironmongery. It is designed to be used in conjunction with our main gate brochure.

Every gate is made for your individual project, so whether you are a private individual upgrading your property, a construction company restoring a Victorian villa or an architect designing a unique contemporary residence, we can provide a complete professional service from gate design and construction through to installation.

For your convenience we have provided a checklist below for you to make notes on your project, which will enable us to provide you with an initial quotation for your project



Throughout this guide each illustration features a six foot silhouette to give a sense of scale and proportion.

Which is your preferred gate design

Are you looking for a pair of gates or a garden door.....

Do you want the gates to weather or to keep their original appearance?.....

How wide is your entrance?.....

How high do you require your gates?.....

Do you require oak gate posts or brick piers?.....

Do you require an installation service?.....

Do you want the gates to be automated?.....

Once you have a good idea of what your requirements are please contact us and we will be pleased to discuss your project and provide you with an initial quotation.

Contents

Product	Price Guide Page	Main Brochure Page
Solid Gates		
The Kinnersley	1	1 - 4
The Monnington	2	5 - 6
Partly Boarded Gates		
The Belmont	3	7 - 10
The Berrington & The Stretton	4	11 - 12
Open Gates		
The Brockhampton	5	13 - 16
The Hampton	6	17 - 20
The Moreton	7	21 - 22
The Lutyens	8	23 - 24
Estate Gates	9 - 10	25 - 26
Garage Doors	11	27 - 30
Garden Gates	12	31 - 32
Garden Doors	13 - 14	33 - 36
Range of posts, Frames and Jambs	15 -16	37 - 38
Hinges	17 - 18	39 - 40
Finishing Touches	19	41 - 44
The Process - What now?	20	45

The Kinnersley

The tongue and groove boarding of the Kinnersley gate gives a pleasing simplicity to the design. This gate is fully boarded for complete privacy and an even greater sense of security.

Price guide for KINNERSLEY gates

Height of top rail	Width of gates	Straight top rail	Curved top rail
High ~ 1.8m (6ft)	3.0m (10ft)	£ 4,525	£ 4,995
High ~ 1.8m (6ft)	3.6m (12ft)	£ 5,210	£ 5,770

These prices are for the gates only and include VAT at 20%.

Finishes

Our oak gates can be supplied with no finish applied so that they can weather. Over a period of time they will tone down to a natural silver grey. For those looking for their gates to maintain a more finished look we can provide a choice of finishes. These are explained on page 20 and include oils and low build wood stains such as Impranol, which will add colour to the gate while still showing the natural beauty of the oak.

Hinges

For the Kinnersley we recommend the use of our specially designed hinge system. This system - unique to Oak Leaf Gates - allows your new gates to sit close to their piers or posts helping to maintain your privacy, for more information see page 18.

Posts and Piers

The Kinnersley is suitable for mounting on masonry piers, and on appropriate wooden posts. If you are having new piers built to complement your gates, we can supply your builder with construction details specific to your project. Alternatively the range of posts we supply can be seen on page 15.

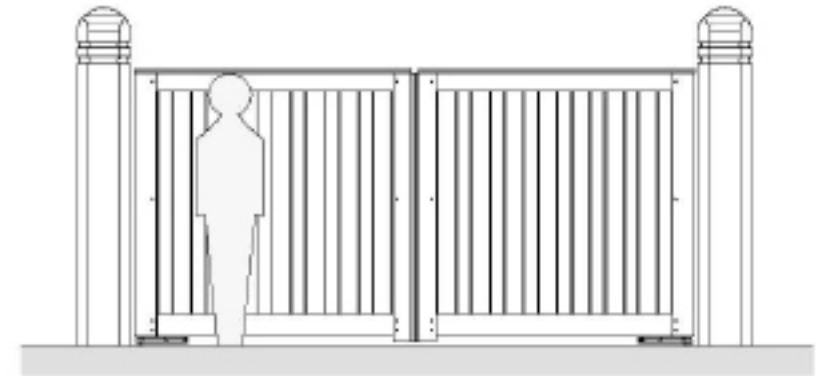
Optional extras for the Kinnersley gate design

Horizontal boarding can be used to add a more contemporary feel to your gates.

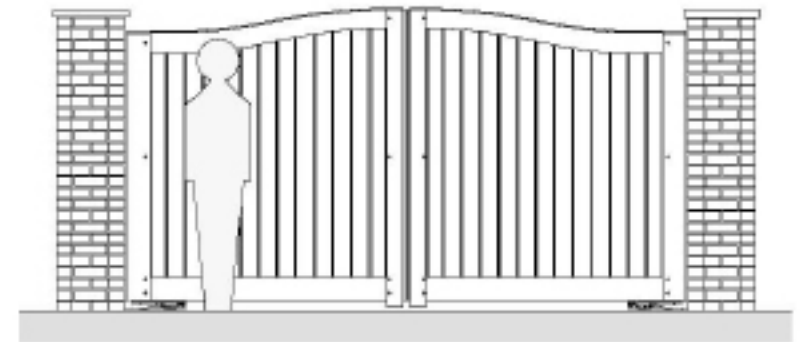
Cock Bead boarding can be used to add a distinctive touch of detail to your gates.

We can also board your gates on the internal face to give a smarter view from inside the property.

Please call for prices.



KINNERSLEY STRAIGHT - HIGH



KINNERSLEY RISING CURVE - HIGH



KINNERSLEY FALLING CURVE - HIGH

The Monnington

The Monnington is designed for those looking for the grander entrance gate that provides total privacy. With its raised panels for an impressive frontage, this gate is panelled both sides giving the same appearance from within the property as from the outside.

Price guide for MONNINGTON gates

Height of top rail	Width of gates	Straight top rail	Curved top rail
High ~ 1.8m (6ft)	3.0m (10ft)	£ 7,845	£ 9,950
Extra high ~ 2.1m (7ft)	3.0m (10ft)	£ 8,345	£ 10,440
High ~ 1.8m (6ft)	3.6m (12ft)	£ 8,815	£ 10,740
Extra High ~ 2.1m (7ft)	3.6m (12ft)	£ 9,345	£ 11,265

These prices are for the gates only and include VAT at 20%

Finishes

Our oak gates can be supplied with no finish applied so that they can weather. Over a period of time they will tone down to a natural silver grey. For those looking for their gates to maintain a more finished look we can provide a choice of finishes. These are explained on page 20 and include oils and low build wood stains such as Impranol, which will add colour to the gate while still showing the natural beauty of the oak.

Hinges

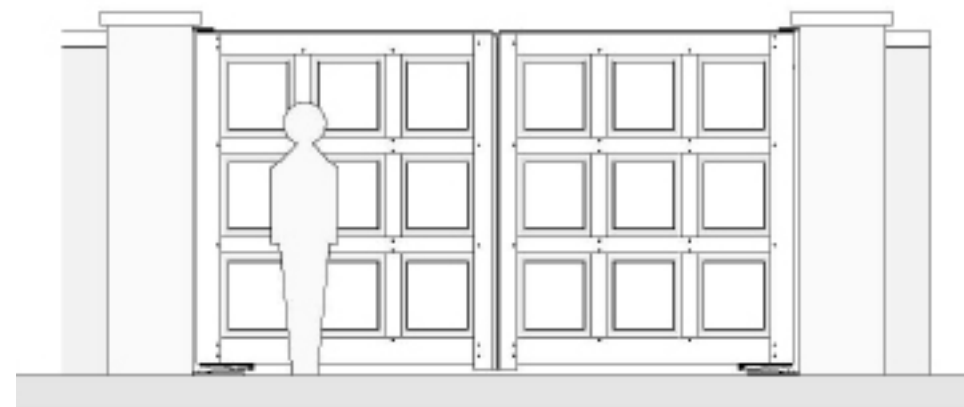
For the Monnington we recommend the use of our specially designed hinge system. This system - unique to Oak Leaf Gates - allows your new gates to sit close to their piers to help maintain your privacy, for more information see page 18.

Posts and Piers

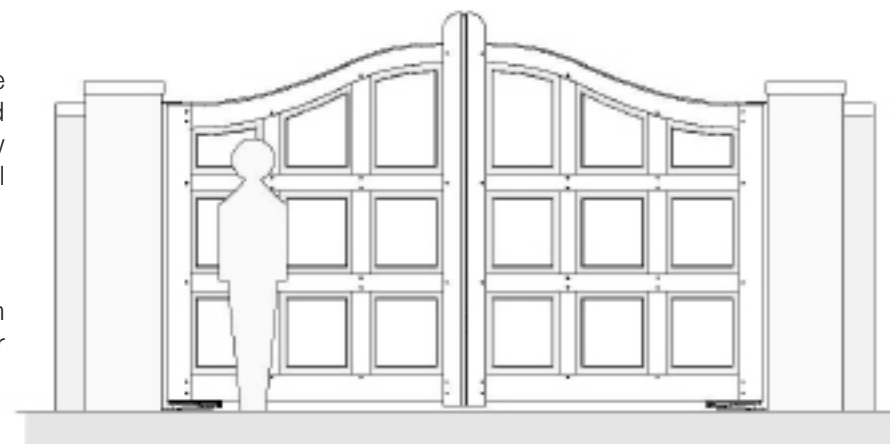
The Monnington is suitable for mounting on masonry piers. If you are having new piers built to complement your gates, we can supply your builder with construction details specific to your project. Alternatively the range of posts we supply can be seen on page 15.

Optional extras for the Monnington gate design

On the curved Monnington we can add a raised centre style detail to aid the sense of grandeur. Please call for prices



MONNINGTON STRAIGHT - EXTRA HIGH



MONNINGTON RISING CURVE - EXTRA HIGH

The Belmont

The partial boarding of the Belmont gives a welcoming feel where privacy is not so much of an issue. The traditional nature of this design with its hint of the countryside, has made this gate one of our most popular designs.

Price guide for BELMONT gates

Height of top rail	Width of gates	Straight top rail	Curved top rail
Low ~ 1.2m (4ft)	3.0m (10ft)	£3,300	£ 3,730
Medium - 1.5m (5ft)	3.0m (10ft)	£ 3,660	£ 4,080
High - 1.8m (6ft)	3.0m (10ft)	£ 4,030	£ 4,455
Low - 1.2m (4ft)	3.6m (12ft)	£ 3,700	£ 4,170
Medium - 1.5m (5ft)	3.6m (12ft)	£ 4,090	£ 4,580
High ~ 1.8m (6ft)	3.6m (12ft)	£ 4,500	£ 5,000

These prices are for the gates only and include VAT at 20%

Finishes

Our oak gates can be supplied with no finish applied so that they can weather. Over a period of time they will tone down to a natural silver grey. For those looking for their gates to maintain a more finished look we can provide a choice of finishes. These are explained on page 20 and include oils and low build wood stains such as Impranol, which will add colour to the gate while still showing the natural beauty of the oak.

Hinges

We recommend a set of our mild steel strap hinges, hot dip galvanized, and painted black to complement your new gates. Alternatively for a more contemporary look you can opt for a set of strap hinges made of marine quality stainless steel. For more information see page 17.

Posts and Piers

The Belmont is suitable for mounting on wooden posts or masonry piers. The range of posts we supply can be seen on page 15. If you are having piers built to complement your gates, we can supply your builder with construction details specific to your project.

Optional extras for the Belmont gate design

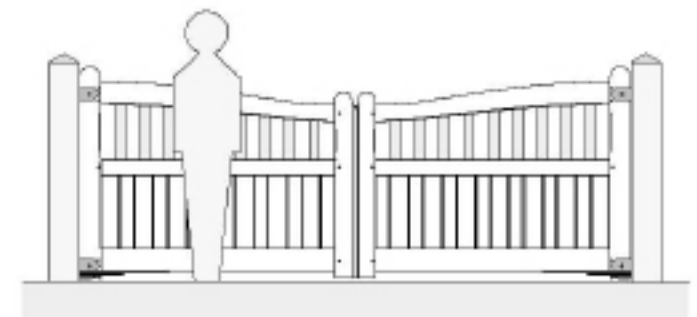
As an option we can alter the round top of the hinge and centre styles for a more decorative design. Cock bead boarding can be used to add a distinctive touch of detail to your gates. Please call for prices and to discuss further details.



BELMONT STRAIGHT - MEDIUM



BELMONT RISING CURVE - EXTRA HIGH



BELMONT FALLING CURVE - LOW

The Berrington & The Stretton

The more partially boarded gates, the Berrington and the Stretton, use spindles in upper sections instead of the flat palings used in the Belmont design. The square spindles of the Berrington and the round spindles of the Stretton give a lighter effect.

Price guide for BERRINGTON & STRETTON gates

Height of top rail	Width of gates	Straight top rail	Curved top rail
Low ~ 1.2m (4ft)	3.0m (10ft)	£ 3,330	£ 3,768
Medium - 1.5m (5ft)	3.0m (10ft)	£ 3,700	£ 4,140
High - 1.8m (6ft)	3.0m (10ft)	£ 4,110	£ 4,530
Low - 1.2m (4ft)	3.6m (12ft)	£ 3,740	£ 4,230
Medium - 1.5m (5ft)	3.6m (12ft)	£ 4,150	£ 4,630
High ~ 1.8m (6ft)	3.6m (12ft)	£ 4,590	£ 5,050

These prices are for the gates only and include VAT at 20%

Finishes

Our oak gates can be supplied with no finish applied so that they can weather. Over a period of time they will tone down to a natural silver grey. For those looking for their gates to maintain a more finished look we can provide a choice of finishes. These are explained on page 20 and include oils and low build wood stains such as Impranol, which will add colour to the gate while still showing the natural beauty of the oak.

Hinges

We recommend a set of our mild steel strap hinges, hot dip galvanized, and painted black to complement your new gates. Alternatively for a more contemporary look you can opt for a set of strap hinges made of marine quality stainless steel. For more information see page 17.

Posts and Piers

The Berrington and Stretton are suitable for mounting on wooden posts or masonry piers. The range of posts we supply can be seen on page 15. If you are having piers built to complement your gates, we can supply your builder with construction details specific to your project.

Optional extras for the Berrington and Stretton gate design

Like the Belmont as an option the round tops of the hinge and centre styles can be altered for a more decorative design.

Cock bead boarding can be used to add a distinctive touch of detail. Please contact us for prices.



BERRINGTON STRAIGHT - LOW



STRETTON RISING CURVE - MEDIUM / HIGH



BERRINGTON FALLING CURVE - HIGH

The Brockhampton

The Arts and Crafts ethos has inspired the Brockhampton gate whose openwork timber gives security without spoiling your views. Although designed with rural properties in mind, the Brockhampton looks equally good in an urban setting.

Price guide for BROCKHAMPTON gates.

Height of top rail	Width of gates	Straight top rail	Curved top rail
Low ~ 1.2m (4ft)	3.0m (10ft)	£ 3,470	£ 3,900
Medium - 1.5m (5ft)	3.0m (10ft)	£ 3,780	£ 4,240
High - 1.8m (6ft)	3.0m (10ft)	£ 4,190	£ 4,590
Low - 1.2m (4ft)	3.6m (12ft)	£ 3,860	£ 4,390
Medium - 1.5m (5ft)	3.6m (12ft)	£4,270	£ 4,750
High ~ 1.8m (6ft)	3.6m (12ft)	£ 4,660	£ 5,130

These prices are for the gates only and include VAT at 20%

Finishes

Our oak gates can be supplied with no finish applied so that they can weather. Over a period of time they will tone down to a natural silver grey. For those looking for their gates to maintain a more finished look we can provide a choice of finishes. These are explained on page 20 and include oils and low build wood stains such as Impranol, which will add colour to the gate while still showing the natural beauty of the oak.

Hinges

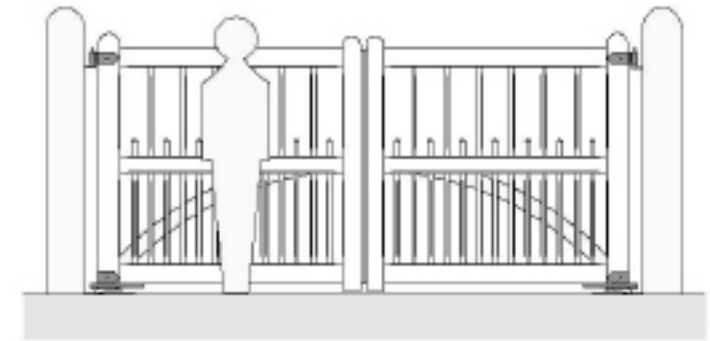
We recommend a set of our mild steel strap hinges, hot dip galvanized, and painted black to complement your new gates. Alternatively for a more contemporary look you can opt for a set of strap hinges made of marine quality stainless steel. For more information see page 17.

Posts and Piers

The Brockhampton is suitable for mounting on wooden posts or masonry piers. The range of posts we supply can be seen on page 15. If you are having piers built to complement your gates, we can supply your builder with construction details specific to your project.

Optional extras for the Brockhampton gate design

As an option the round tops of the hinge and centre styles can be altered for a more decorative design. Please contact us for prices.



BROCKHAMPTON STRAIGHT - MEDIUM / HIGH



BROCKHAMPTON RISING CURVE - HIGH



BROCKHAMPTON FALLING CURVE - LOW

The Hampton

The Hampton gate has been designed with grandeur in mind. The greater solidity of the design is lightened by the openwork timber which is enhanced by a choice of elegant, handmade ironwork for a truly individual effect.

Price guide for HAMPTON gates

Height of top rail	Width of gates	Simple (Rope twist)	Ornate ironwork
Medium ~ 1.5m (5ft)	3.3m (11ft)	£ 7,530	£8,540
High ~ 1.8 m (6ft)	3.3m (11ft)	£ 7,930	£ 8,940
Medium - 1.5m (5ft)	3.6m (12ft)	£ 7,910	£ 8,920
High - 1.8m (6ft)	3.6m (12ft)	£ 8,300	£9,310

These prices are for the gates only and include VAT at 20%

Finishes

Our oak gates can be supplied with no finish applied so that they can weather. Over a period of time they will tone down to a natural silver grey. For those looking for their gates to maintain a more finished look we can provide a choice of finishes. These are explained on page 20 and include oils and low build wood stains such as Impranol, which will add colour to the gate while still showing the natural beauty of the oak.

Hinges

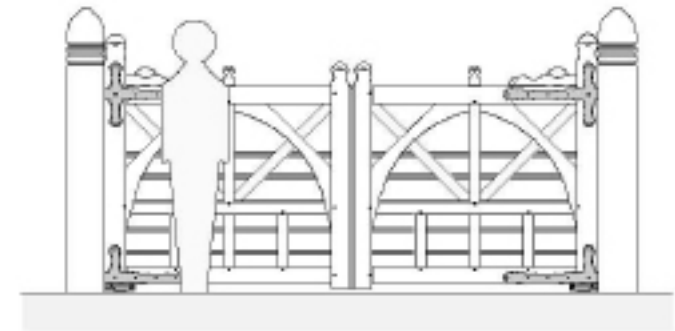
We recommend a set of our ornate mild steel strap hinges, hot dip galvanized, and painted black to complement your new gates. For more information see page 18.

Posts and Piers

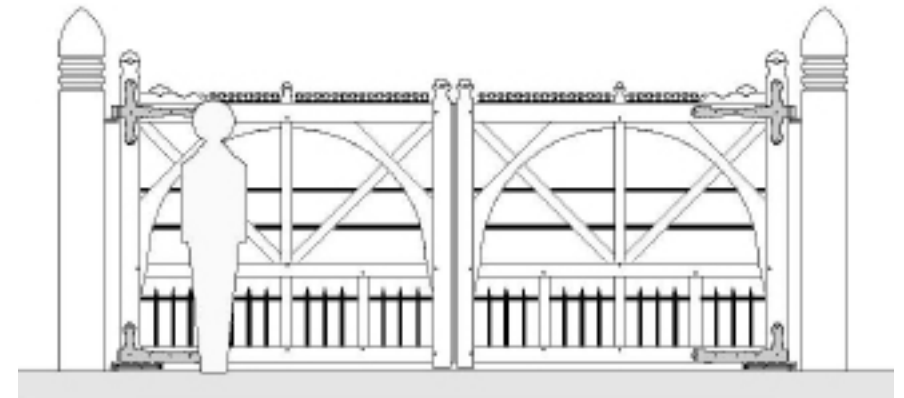
The Hamptons are suitable for mounting on wooden posts or masonry piers. The range of posts we supply can be seen on page 15. If you are having piers built to complement your gates, we can supply your builder with construction details specific to your project.

Optional extras for the Hampton gate design

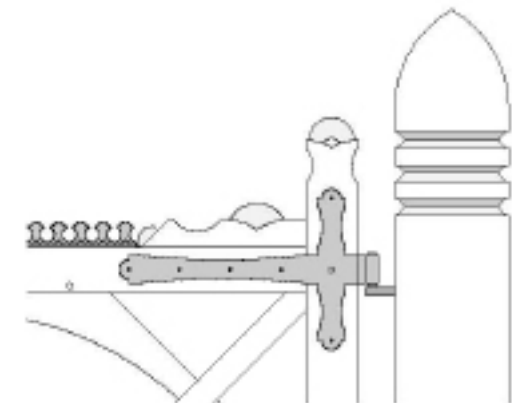
Within the Hampton gate range there is a vast variety of embellishments that can be designed into the gate, from carved details within the oak to family crests incorporated within the ironwork. Please contact us to discuss your ideas.



SIMPLE HAMPTON - MEDIUM



ORNATE HAMPTON - HIGH



The Moreton

The Moreton uses four inch oak instead of the three inches used in most of the Oak Leaf Gates range of designs. This makes the Moreton both heavier and stronger, giving a powerful effect to the geometric, timber and ironwork.

Price guide for MORETON gates.

Height of top rail	Width of gates	Curved
High ~ 1.8m (6ft)	3.6m (12ft)	£ 12,920
Extra High ~ 2.1 m (7ft)	3.6m (12ft)	£ 13,520
High - 1.8m (6ft)	4.2m (14ft)	£ 14,020
Extra High - 2.1m (7ft)	4.2m (14ft)	£ 14,590

These prices are for the gates only and include VAT at 20%

Finishes

Our oak gates can be supplied with no finish applied so that they can weather. Over a period of time they will tone down to a natural silver grey. For those looking for their gates to maintain a more finished look we can provide a choice of finishes. These are explained on page 20 and include oils and low build wood stains such as Impranol, which will add colour to the gate while still showing the natural beauty of the oak.

Hinges

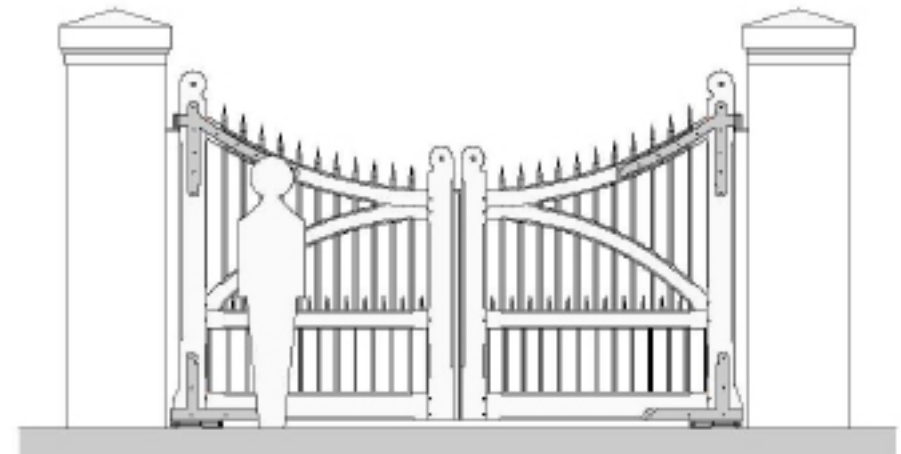
We recommend a set of our specially designed mild steel strap hinges, hot dip galvanised, and painted black to complement your new gates. Alternatively for a more contemporary look you can opt for a set of strap hinges made of marine quality stainless steel. For more information see page 18.

Posts and Piers

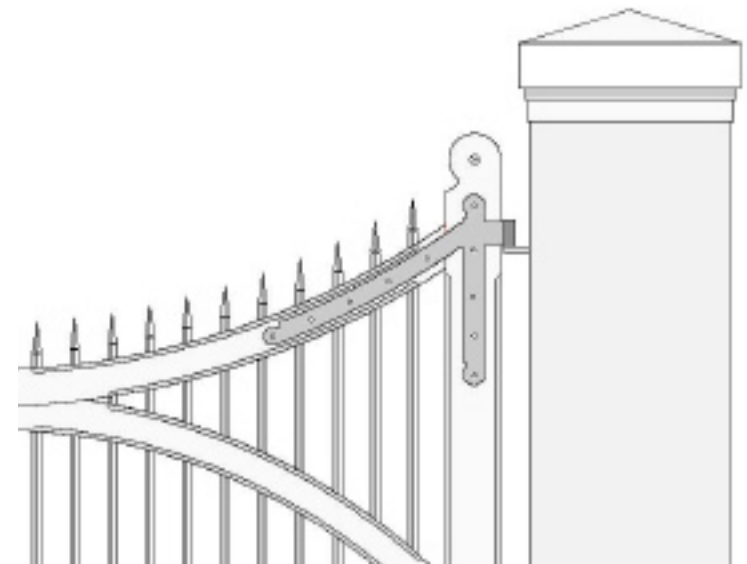
Due to the weight of the Moreton gates they are only suitable for mounting on masonry piers. If you are having new piers built to complement your gates, we can supply your builder with construction details specific to your project.

Optional extras for the Moreton gate design

Within the Moreton gate range there is a vast variety of embellishments that can be designed into the gate, from carved details within the oak to design details incorporated within the ironwork. Please contact us to discuss your ideas.



MORETON - HIGH



The Lutyens

As the name indicates, this gate, made in four inch oak, is inspired by the great English architect, Sir Edwin Lutyens. Lutyens designed a similar gate for the great country house of Goddards, which he built in Surrey at the end of the 19th century.

Price guide for LUTYENS gates

Height of top rail	Width of gates	Straight
Medium ~ 1.5m (5ft)	3.6m (12ft)	£ 10,140
High ~ 1.8m (6ft)	3.6m (12ft)	£ 11,110
Medium - 1.8m (5ft)	4.2m (14ft)	£ 11,390
High - 1.8m (6ft)	4.2m (14ft)	£ 12,360

These prices are for the gates only and include VAT at 20%

Finishes

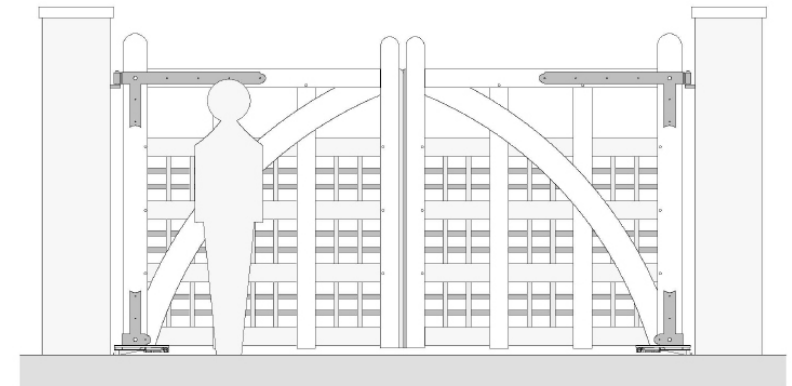
Our oak gates can be supplied with no finish applied so that they can weather. Over a period of time they will tone down to a natural silver grey. For those looking for their gates to maintain a more finished look we can provide a choice of finishes. These are explained on page 20 and include oils and low build wood stains such as Impranol, which will add colour to the gate while still showing the natural beauty of the oak.

Hinges

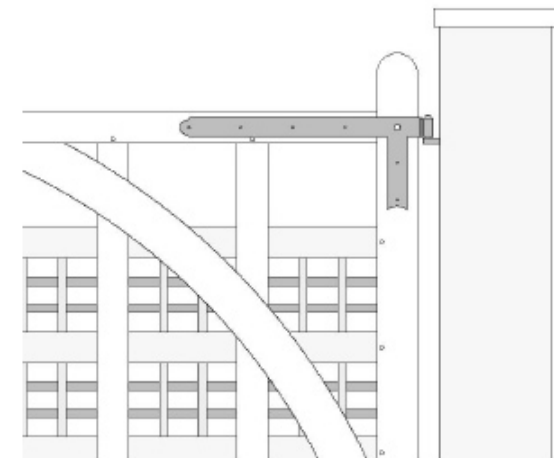
We recommend a set of our specially designed mild steel strap hinges, hot dip galvanized, and painted black to complement your new gates. Alternatively for a more contemporary look you can opt for a set of strap hinges made of marine quality stainless steel. For more information see page 18.

Posts and Piers

Due to the weight of the Lutyens they can be hung from posts though we recommend mounting on masonry piers. If you are having new piers built to complement your gates, we can supply your builder with construction details specific to your project.



LUTYENS - HIGH



Estate - Single

These gates come from a farming and country estate tradition and reflect the single, straight top country gate look for a more rural effect.

Price guide for ESTATE gates

	Height of top rail	Width of gates	Price
Aconbury	Low - 1.2m (4ft) 5 bar	3.0m (10ft)	£2,180
	Medium - 1.5m (5ft) 5 bar	3.6m (12ft)	£2,410
Whitney	Medium ~ 1.5m (6ft) 5 bar	3.0m (10ft)	£ 3,370

These prices are for the gates only and include VAT at 20%

Finishes

Our oak gates can be supplied with no finish applied so that they can weather. Over a period of time they will tone down to a natural silver grey. For those looking for their gates to maintain a more finished look we can provide a choice of finishes. These are explained on page 20 and include oils and low build wood stains such as Impranol, which will add a colour to the gate while still showing the natural beauty of the oak.

Hinges

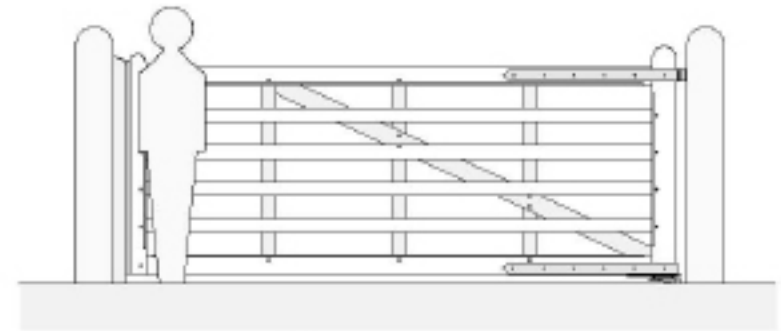
We recommend a set of our handmade mild steel strap hinges, hot dip galvanized, and painted black to complement your new gate. Alternatively for a more contemporary look you can opt for a set of strap hinges made of marine quality stainless steel. For more information see page 17.

Posts and Piers

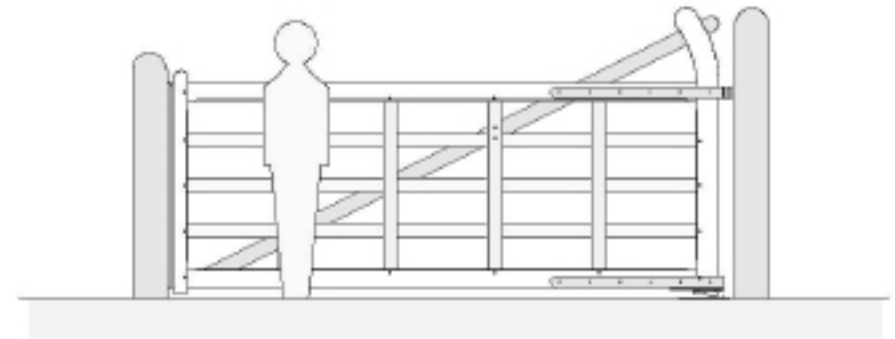
All of the estate gates are suitable for mounting on wooden posts or masonry piers. The range of posts we supply can be seen on page 15. If you are having new piers built to complement your gates, we can supply your builder with construction details specific to your project.

Optional extras for the estate gate range

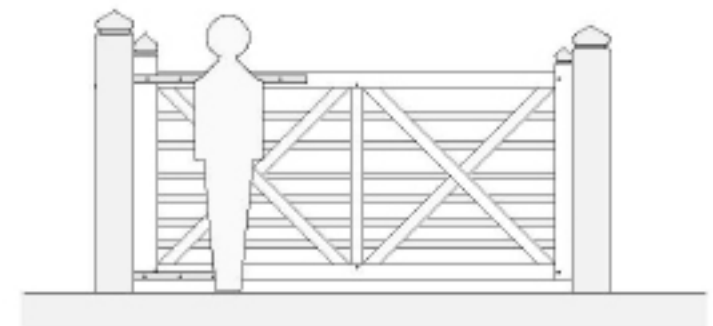
There are a great variety of changes and extras that can make your estate gate unique, please contact us to discuss your ideas.



ACONBURY - MEDIUM



ACONBURY WITH HOOK - MEDIUM



WHITNEY - MEDIUM

Estate - Pairs

Like the single estate gates these come from a farming and country estate tradition reflecting a sense of grandeur while maintaining a more rural effect.

Price guide for a pair of ESTATE gates.

	Height of top rail	Width of gates	Price
Aconbury	Low ~ 1.2 m (4ft)	3.6m (12ft)	£ 3,530
	Medium - 1.5m (5ft)	4.2m (14ft)	£ 3,800
Westhide	Medium - 1.5m (5ft)	3.6m (12ft)	£ 5,850
	High ~ 1.8 m (6ft)	4.2m (14ft)	£ 6,520

These prices are for the gates only and include VAT at 20%

Finishes

Our oak gates can be supplied with no finish applied so that they can weather. Over a period of time they will tone down to a natural silver grey. For those looking for their gates to maintain a more finished look we can provide a choice of finishes. These are explained on page 20 and include oils and low build wood stains such as Impranol, which will add a colour to the gate while still showing the natural beauty of the oak.

Hinges

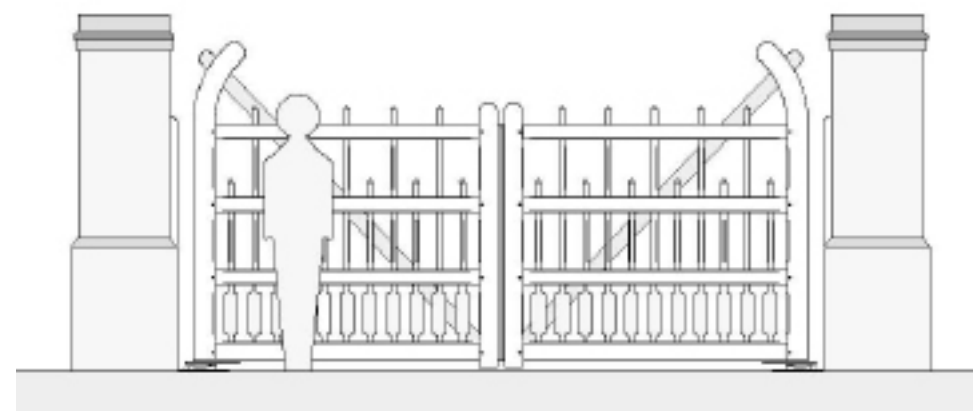
We recommend a set of our handmade mild steel strap hinges, hot dip galvanized, and painted black to complement your new gate. Alternatively for a more contemporary look you can opt for a set of strap hinges made of marine quality stainless steel. For more information see page 17.

Posts and Piers

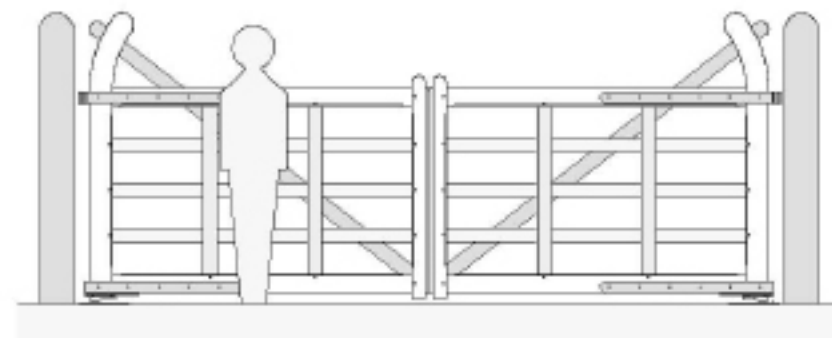
All of the estate gates are suitable for mounting on wooden posts or masonry piers. The range of posts we supply can be seen on page 15. If you are having new piers built to complement your gates, we can supply your builder with construction details specific to your project.

Optional extras for the estate gate range

There are a great variety of changes and extras that can make your estate gate unique, please contact us to discuss your ideas.



WESTHIDE - HIGH



AN ACONBURY PAIR WITH HOOK - MEDIUM

Garage Doors

At Oak Leaf Gates we believe that garage doors should be as beautiful as the rest of your home. Nothing looks better than solid oak which never goes out of style and gives excellent security. All our garage doors are suitable for automation.

Price guide for GARAGE DOORS

	Width of door	Straight top	Bow top
Kinnersley	2.4m (8ft)	£ 3,925	£ 4,320
	3.0m (10ft)	£ 4,600	£ 5,040
Withington Design from		£ 5,060	
Frames from		£ 580	£ 910

These prices are for the garage door only and include VAT at 20%

Finishes

Our oak garage doors can be supplied with no finish applied so that they can weather. Over a period of time they will tone down to a natural silver grey. For those looking for their gates to maintain a more finished look we can provide a choice of finishes. These are explained on page 20 and include oils and low build wood stains such as Impranol, which will add a colour to the gate while still showing the natural beauty of the oak.

Hinges

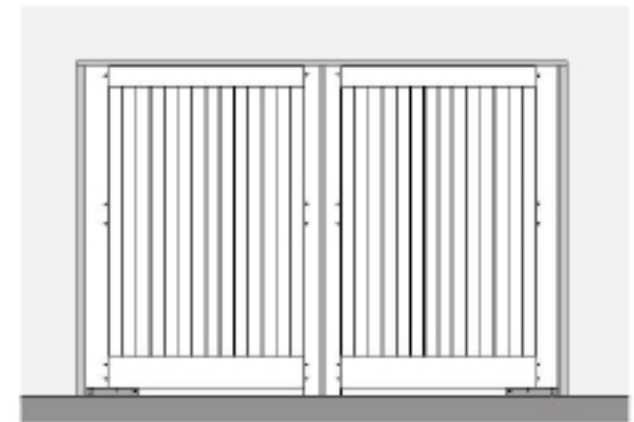
We would recommend a set of our KIRKPATRICK strap hinges, or a set of stainless steel butt hinges. Alternatively for a more contemporary look you can opt for a set of strap hinges made of marine quality stainless steel. For more information see page 17 and 18.

Frames and apertures

All our garage doors can be mounted directly from masonry as required or alternatively you can have a solid oak frame made to complement, see page 16. Due to the weight of our garage doors in solid oak, they are all designed to open outwards as a pair and are not suitable for up and over configurations.

Optional extras for the garage door range

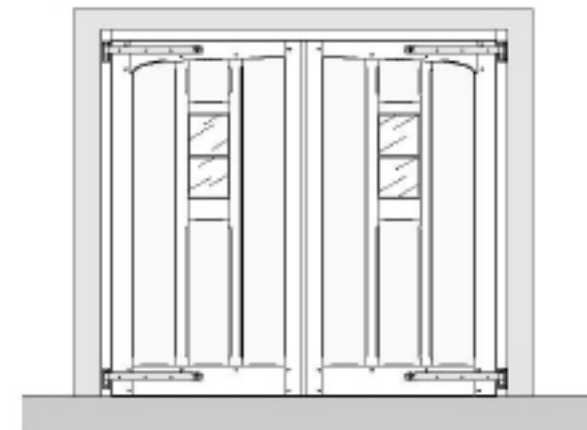
There are a great variety of changes that can make your garage door unique. Please contact us to discuss your ideas and for guide prices on making changes to any of our garage doors. For those looking to create the ultimate in automated garage doors please view our automation brochure.



KINNERSLEY - STRAIGHT



KINNERSLEY - CURVED



WITHINGTON

Garden Gates

All our entrance gate designs are available as proportionately smaller garden gates, fully or partially boarded, with rising curve, falling curve or straight tops.

Price guide for a GARDEN GATE

BELMONT, STRETTON & BROCKHAMPTON - from £ 1,460

We make pedestrian gates in most of our gate designs, please contact us for prices on the gate of your choice.

These prices are for a garden gate only and include VAT at 20%

Finishes

Our oak garden gates can be supplied with no finish applied so that they can weather. Over a period of time they will tone down to a natural silver grey. For those looking for their gates to maintain a more finished look we can provide a choice of finishes. These are explained on page 20 and include oils and low build wood stains such as Impranol, which will add a colour to the gate while still showing the natural beauty of the oak.

Hinges

We would recommend a set of our handmade mild steel strap hinges, hot dip galvanized, and painted black. Alternatively for a more contemporary look you can opt for a set of strap hinges made of marine quality stainless steel. For more information see page 17.

Posts and Jambs

All our garden gates can be mounted directly from masonry on oak jambs or between oak posts as required. For more information on the full range of posts we make see page 15.

Optional extras for the garden gate range

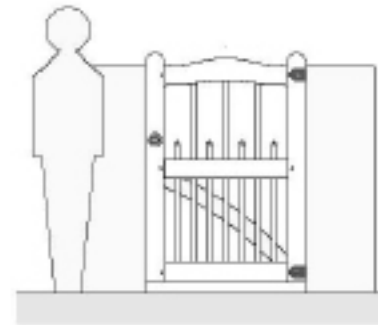
As with our entrance gates there are a variety of changes and extras that can make your garden door unique. To discuss your ideas and for guide prices on making changes to any of our garden gates please contact us.



BROCKHAMPTON STRAIGHT



BELMONT STRAIGHT



BROCKHAMPTON RISING CURVE



BELMONT RISING CURVE



BROCKHAMPTON FALLING CURVE



BELMONT FALLING CURVE

Kinnersley Garden Doors

Garden doors give privacy and security and can be positioned in a wall, a hedge, at the rear or alongside a house. Our garden doors are available in any size or shape and are made using the same substantial construction as all our larger gates with a mortise and tenon frame.

At Oak Leaf Gates our most popular door design is the Kinnersley and is available in a variety of different formats.

Price guide for a garden door 900mm wide / 1.9m high inc. VAT at 20%

These prices are for a garden door only and include VAT

Finishes

Our oak garden doors can be supplied with no finish applied so that they can weather. Over a period of time they will tone down to a natural silver grey. For those looking for their gates to maintain a more finished look we can provide a choice of finishes. These are explained on page 20 and include oils and low build wood stains such as Impranol, which will add a colour to the gate while still showing the natural beauty of the oak.

Hinges

If you require a traditional feel the Kinnersley garden door can be mounted using a set of our handmade mild steel strap hinges, hot dip galvanized, and painted black. Alternatively for a more contemporary look you can opt for a set of strap hinges made of marine quality stainless steel. For those looking for clean lines we would recommend stainless steel butt hinges. For more information see page 17.

Posts, Piers, Jambs and door frames

All our garden doors can be mounted directly from masonry on oak jambs or between oak posts as required to form a pedestrian access at your main entrance or form a feature within your garden scheme. Alternatively you can opt for a frame to complement. For more information on the full range of posts we make see page 15 and 16.

Optional extras for Kinnersley garden doors

As with our entrance gates there are a variety of changes and extras that can be designed into your garden door unique. For example the door can be designed as a double as seen on page 36 of the gate brochure. Please contact us to discuss your ideas and for guide prices on making changes to any of our garden doors.



KINNERSLEY STRAIGHT
from £ 1,830



KINNERSLEY RISING CURVE
from £ 1,950



KINNERSLEY BOW TOP
from £ 1,960



KINNERSLEY ARCHED TOP
from £ 2,310



KINNERSLEY ROUND TOP
from £ 2,850



WINDOW OPTIONS FOR DOORS
from £140

Monnington Garden Doors

To complement our Monnington entrance gate you can commission a matching garden door. It is made using the same substantial construction and raised panelling detail to give the same impressive view inside and out.

Price guide for a MONNINGTON DOOR

900mm MONNINGTON GARDEN DOOR - Straight from £ 2,440

900mm MONNINGTON GARDEN DOOR - Curved from £ 2,790

These prices are for a garden door only and include VAT at 20%

Finishes

Our oak garden doors can be supplied with no finish applied so that they can weather. Over a period of time they will tone down to a natural silver grey. For those looking for their gates to maintain a more finished look we can provide a choice of finishes. These are explained on page 20 and include oils and low build wood stains such as Impranol, which will show the natural beauty of the oak.

Hinges

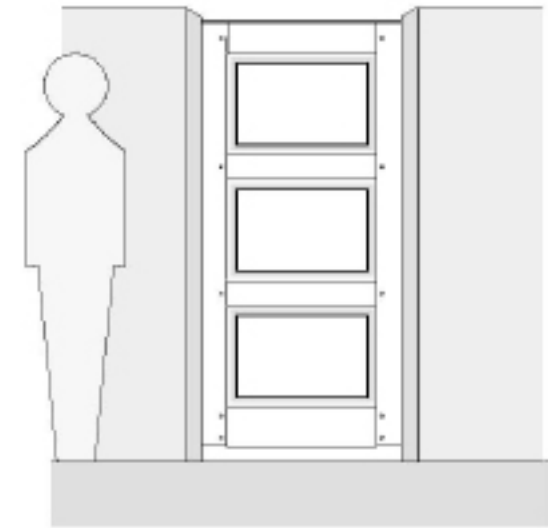
For the Monnington we recommend the use of our stainless steel butt hinges. This allows your door to sit as close as possible to its pier to retain your privacy. For more information see page 17.

Piers and Jambs

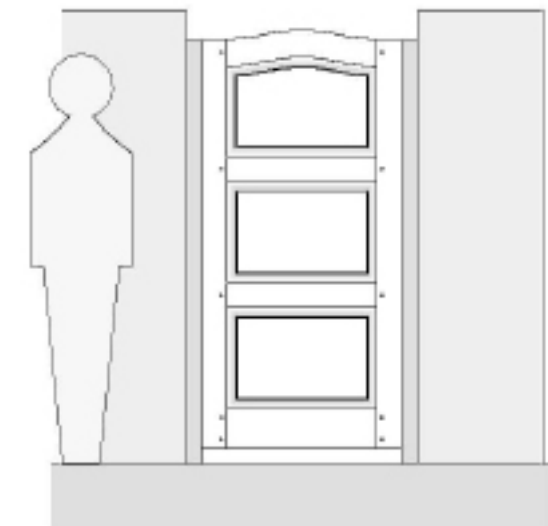
Our Monnington garden door can be mounted directly from masonry on oak jambs to form a pedestrian access at your main entrance or alternatively feature within your garden scheme. For information on our oak jambs see page 15.

Optional extras for Monnington garden doors

As with our entrance gates there are a variety of changes and extras that can make your garden door unique. To discuss your ideas and for guide prices on making changes to any of our garden gates please contact us.



MONNINGTON STRAIGHT



MONNINGTON RISING CURVE

Range of posts,

To complement our range of gates and doors we supply all the necessary posts, frames and jambs in oak to suit your entrance. All our posts are cut from freshly sawn oak and are available in a variety of sizes.

Bespoke design service

All the posts we sell are handmade within our workshop, we can tailor any of our designs to your requirements. Alternatively you can commission a unique post design to complement your new entrance, please contact us to discuss your ideas.

All our posts are made from very high quality green oak. Like any green oak product all posts will be subject to a certain amount of shrinkage and splitting. This is perfectly normal and does not affect the strength of the post and can be reduced with the application of an oil finish. Post lengths are worked out to allow for a minimum of 900mm in the ground. The prices below are for an individual post only including VAT at 20%.



BRIENTON

The popular Breinton features a simple half round top with chamfered edges.
225 x 225 x 2700mm £ 330



DEWCHURCH

The Dewchurch post features a simple, effective four way sloping top.
225 x 225 x 2700mm £ 330



UPTON

The Upton post features the sloping top of the Dewchurch with the added dimension of three horizontal grooves to add that extra bit of detail.
225 x 225 x 2700mm £ 370



VOWCHURCH

The 'Gothic' style Vowchurch is suitable for those looking for a grander effect with its arched top combined with three heavy horizontal grooves.
225 x 225 x 2700mm £ 420



LYDE

The Lyde features a stylish octagonal design curving up towards a shallow point bearing two heavy horizontal grooves.
250 x 250 x 3300mm £ 650



WHITNEY

The Whitney features a curved four way top undercut by a deep horizontal groove creating a stunning contemporary classic.
225 x 225 x 2700mm £ 450

Frames and Jambs

To complement our range of gates and doors we can supply frames and jambs in oak to suit your particular project. All our jambs are cut from the same high quality oak used within our gates and doors. Each frame and jamb is made to your projects specific dimensions to ensure the correct fit.

Garden door frame

Straight top

Bow top

900mm

£ 430

£ 530

1200mm

£ 500

£ 680

Garage door frame

2.4m (8ft)

£ 580

£ 910

3.0m (10ft)

£ 660

£ 1090

Each of our garage door frames are made to the very highest standards of craftsmanship, using the best traditional techniques. All frames include mortise and tenon joints to provide strength while minimizing movement.

Our frames for arched gateways also feature a hammerhead joint as seen in diagram 3. This sophisticated joint allows the curved top of the frame to be made in two parts making maximum use of the strongest grain in the wood, therefore increasing the strength and durability of the frame.

Our oak jambs are used to aid the fitting of garden gates and doors between walls or other masonry openings.

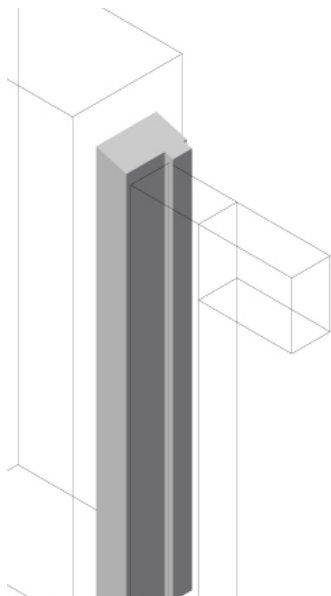


Diagram 1
Left hand oak door jamb



Diagram 2
Straight top garage door frame

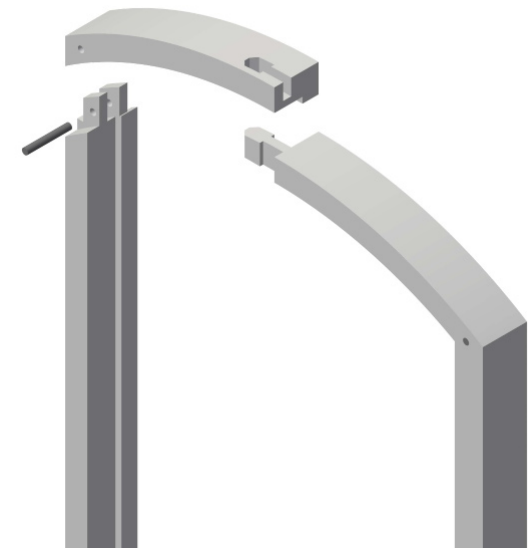


Diagram 3
Curved top door frame

Hinges

To complement our range of gates and doors we can supply you with bespoke hinges to suit. All our hinges are supplied with stainless steel fixings for gate and post. We can use a variety of different hinges depending on the type of gate, the particular hinging geometry and whether the gates are automated or not. To assist you we will specify the best hinge for your particular project.

Hand made steel straps

These hinges are individually made by our blacksmith or engineered in stainless steel to fit around and suit the shape of our partly boarded, open style and estate gate range. All but the stainless steel hinges are made from high quality British steel and prior to painting they are individually hot dip galvanized. This involves them being washed in hydrochloric acid and completely submerged in molten zinc. This is the ultimate protection for any steel work and will ensure the longevity of the hinges.

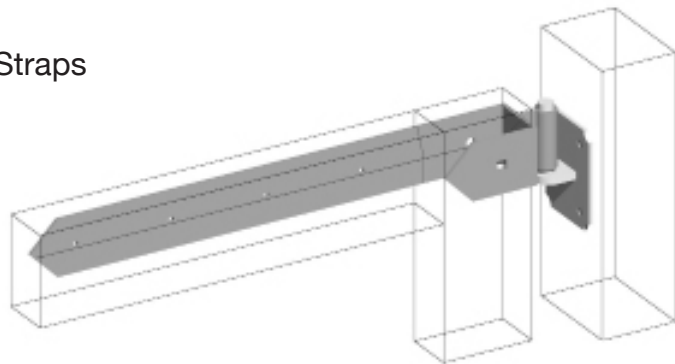
Bands or Reversibles

The reversible hinges are used mainly on our garden gates and doors while the band hinges are used on heavier doors and occasionally solid boarded entrance gates. They are hand made by our blacksmith to suit the shape of your gate and fit along the back face of the gate. They are finished to the same standards as our hand made strap hinges.

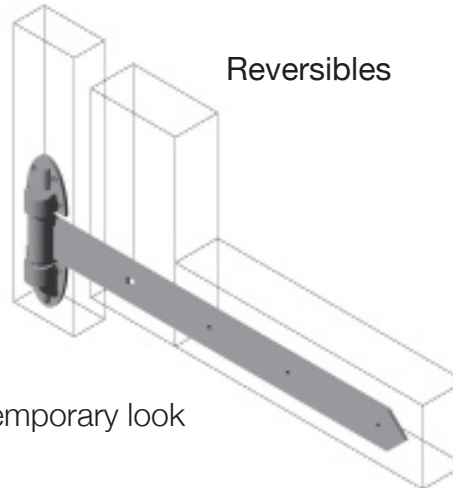
Butt hinges

These hinges can be used for hanging doors allowing them to sit close to the frame and give a garden door a more contemporary feel.

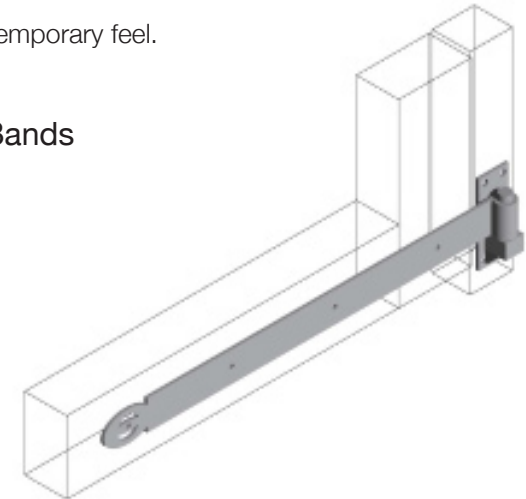
Straps



Reversibles



Bands



All our hinges are available in stainless steel for a more contemporary look

Strap hinge packs for a pair of entrance gates including all stainless steel fixings start from £ 450

Reversible hinge packs for a single gate including all stainless steel fixings start from £ 105

Band hinge packs for a single gate including all stainless steel fixings start from £ 115

Hinges

Hinge system for solid gates

These hinges are specifically designed for solid boarded gates where privacy is important and the gate needs to sit as close as possible to the posts or pier. A stainless steel strap is fitted to the top of the gate; this has a spigot that fits into the hole in the hanging strap. The hanging strap is either bolted to an oak post or existing pier or welded to the steel core of a new brick pier. The bottom of the gate has a shoe with a socket in it that fits onto a spigot in the ground or is welded to the automation mechanism. This system is unique to Oak Leaf Gates and provides the neatest solutions for hanging solid gates.

Charles Collinge hinge

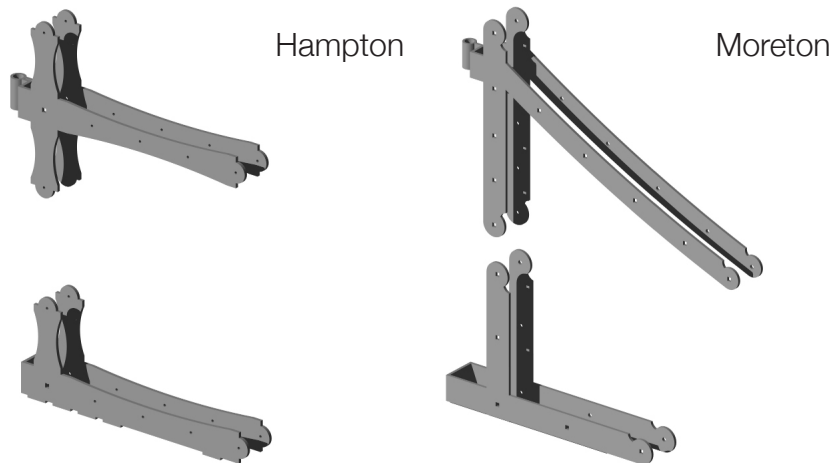
To complement our range of gates and doors we can also supply 'Charles Collinge' hinges. Charles Collinge hinges are a unique form of strap hinge made from cast iron and for the last two hundred years have been widely used around the east of England. We are able to supply brand new hinges and cups cast from the authentic moulds used to cast them many years ago. These can be supplied to complement your new gates or sold separately.

(For image of a 'Charles Collinge' hinge see Page 35 in main brochure)

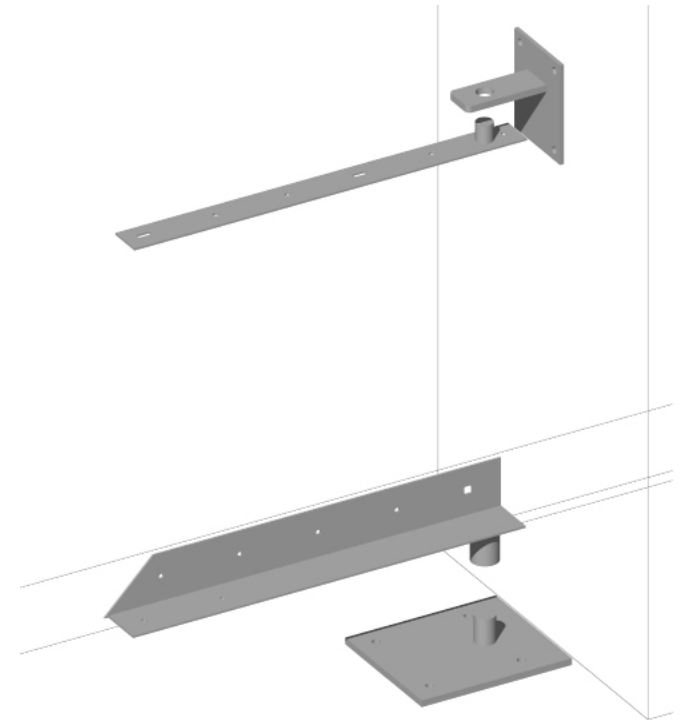
For the latest prices on Charles Collinge hinges please contact us.

Gate specific hinges

These hinges are specially designed to suit the individual design of the Hampton, Lutyens and Moreton. Shown below are the hinges for the Moreton and Hampton.



Strap hinge packs for our more ornamental gates such as the Hampton and Moreton including all stainless steel fixings start from £ 790



Hinge system for solid boarded entrance gates including all stainless steel fixings start from £ 340

Finishing Touches

Choice of Ironmongery

For that finishing touch we provide a wide range of ironmongery from cabin hooks and drop bolts to ring latches and five lever deadlocks. We use British made '*Kirkpatrick*' traditional ironmongery for ring latches, drop bolts and cabin hooks, however when something a little different is required our blacksmith can make bespoke pieces - perhaps picking out a detail from your property. We will recommend the appropriate product for your particular project, if you have a specific requirement we can normally oblige. Included on this page is a small selection of the ironmongery we have available

Range of Finishes

Gate finishes cost approximately 10 - 15% on top of the cost of the gate

When choosing the finish for your new gates you need to be aware of the maintenance involved with each particular type of finish. Samples for our range of finishes are available upon request.

Left to weather

The natural durability of oak means that it technically requires no preservative treatment and if you want your gates to weather to a silvery grey and look as though they have been in place for years we will leave the gates unfinished. It must be pointed out that if you choose to leave the gates unfinished they will be more affected by the weather. The sun, the wind and rain may cause a certain amount of surface splitting and slightly more movement than if the gates were finished.

Impranol

Impranol is a recommended high quality wood finish specially designed for external use. Three coats are applied after an initial wash with methylated spirits. The finish has a pigment that is an ultraviolet filter and hence the gates have a colour to them, ranging from a light oak to a dark walnut colour. It is essential this finish is well maintained to avoid time consuming redecoration. Depending on the specific location of the gates from a dark and damp driveway, to full sun and strong winds the life expectancy of the finish will vary.

Tung oil

Tung oil is a pure Chinese nut oil used for centuries to protect timber outside. We apply five coats prior to delivery and further coats can be applied at your discretion. This oiled finish shows the natural beauty of the wood and if the finish is well maintained on a regular basis, the gates will keep their smart appearance for many years.

Painted

For those looking for a painted finished we would recommend making your gate from Iroko or Idigbo. Both of these woods have the strength and durability of oak but not quite the quality of grain. Unless separately quoted for all Iroko or Idigbo gates are supplied primed ready for painting.

The Process - What happens now?

Oak Leaf Gates has built its reputation on supplying the whole package to the highest standards, from design and production to installation. We work closely with our clients to create the gates or doors which are best suited to their needs and which sit beautifully with the appearance of their homes and gardens. We can supply gates from our range in the brochure or we can create a bespoke product which will be unique to you.

Once you have picked a style of gate you like and filled out the information needed on the project planner. Contact us and we will provide you with an initial quote based on the information you have given us by telephone, e-mail or post.

When you are satisfied with your initial quotation we will arrange for the Design Director Richard Eccleston to come and meet you on site and personally discuss the project with you. This part of the process allows you to get a good impression of what you can expect from us, and allows Richard to make sure that the specification we have for you is appropriate to your property and needs. We will measure up the site of your proposed new entrance and take photographs. We will also discuss the timescale of the project and how to coordinate with other contractors.

After the site visit we will prepare a revised detailed quotation for you taking into account any changes made to the specification. Once you have accepted this quotation we will send you an acknowledgement of order, confirming the details and an invoice for the initial deposit.

At the appropriate time after order we will send you approval drawings and specifications for your new gates / doors for your acceptance. When you have returned a copy of the signed approval drawing, we will convert that image into a working drawing allowing our workshop to make your gates ready for installation.

For further information concerning your project from basic advice to the more technical specification of the equipment we use please feel free to contact us and we will be happy to assist.

The Workshops Pomona Farm Bartestree Herefordshire HR1 4BQ

tel 01432 850100 fax 01432 853097 email sales@oakleafgates.co.uk